

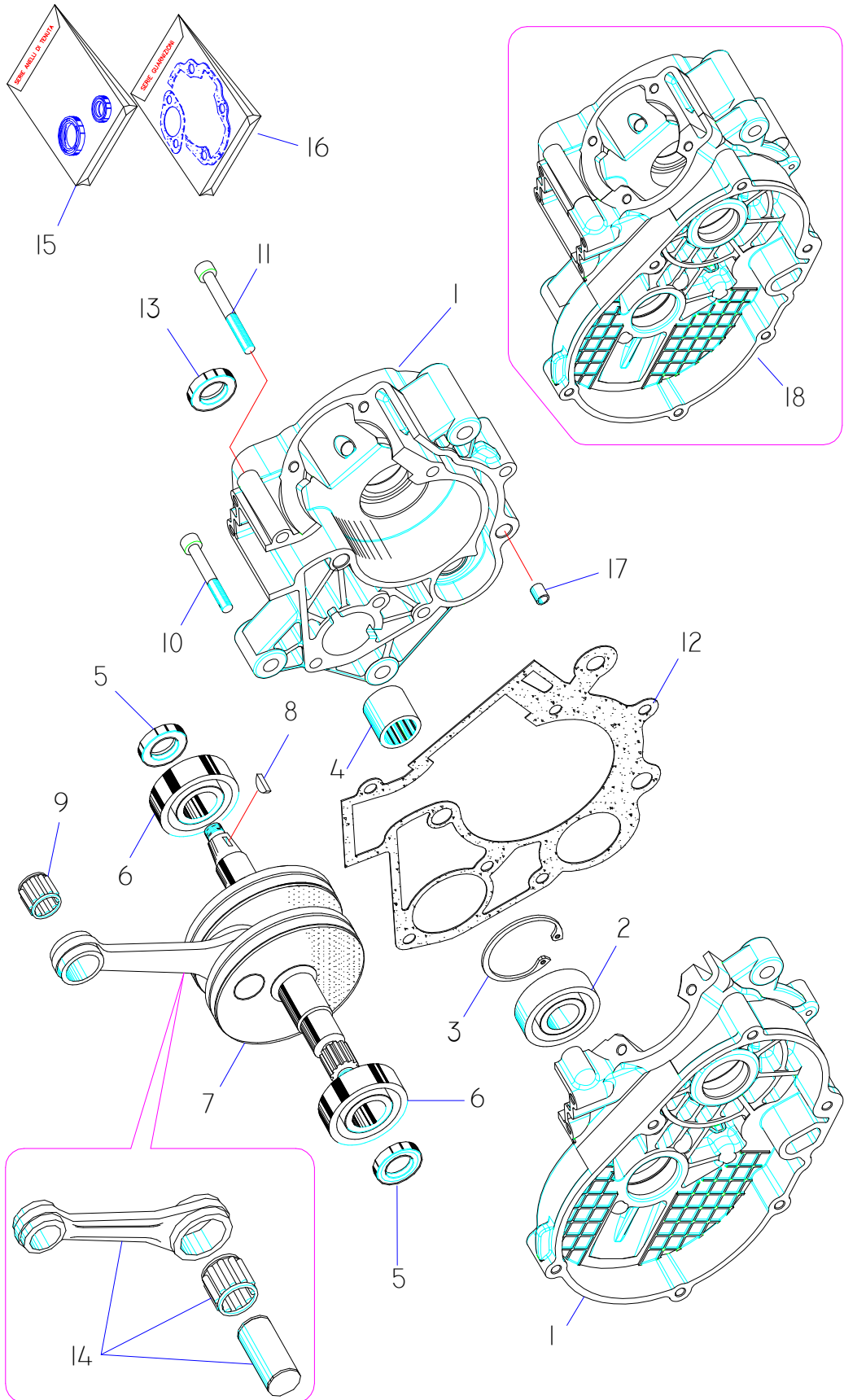
SPARE PARTS

ENGINE S6/E

ENGINE BLOCK

CODE	DENOMINATION	QTY	NOTE	TABLE
12-0690	COMPLETE CRANKCASE	1		A 01
12-6067	BEARING 17-35-10	1		A 02
10-5070	SNAP RING FOR HOLE DIAMTER 36	1		A 03
10-8512	ROLLER CAGE HK 1712 B	1		A 04
10-6033	OIL SEAL 17-27-6	2		A 05
16-6021	BEARING 17-40-12	2		A 06
10-0187	CRANKSHAFT	1		A 07
12-7025	FLYWHEEL KEY	1		A 08
16-1024	ROLLER CAGE 12-15-15	1		A 09
29-1991	BOLT M6x50	7		A 10
29-1993	BOLT M6x60	1		A 11
16-4297	HALF CRANKCASE GASKET	1		A 12
10-6034	OIL SEAL 17-25-5	1		A 13
11-0040	COMPLETE CONNECTING ROD	1		A 14
	SET OF OIL SEALS			A 15
	SET OG GASKETS			A 16
26-8127	DOWEL PIN	2		A 17
12-0699	COMPLETE CRANKCASE OIL MIXER PUMP VERSION	1		A 18

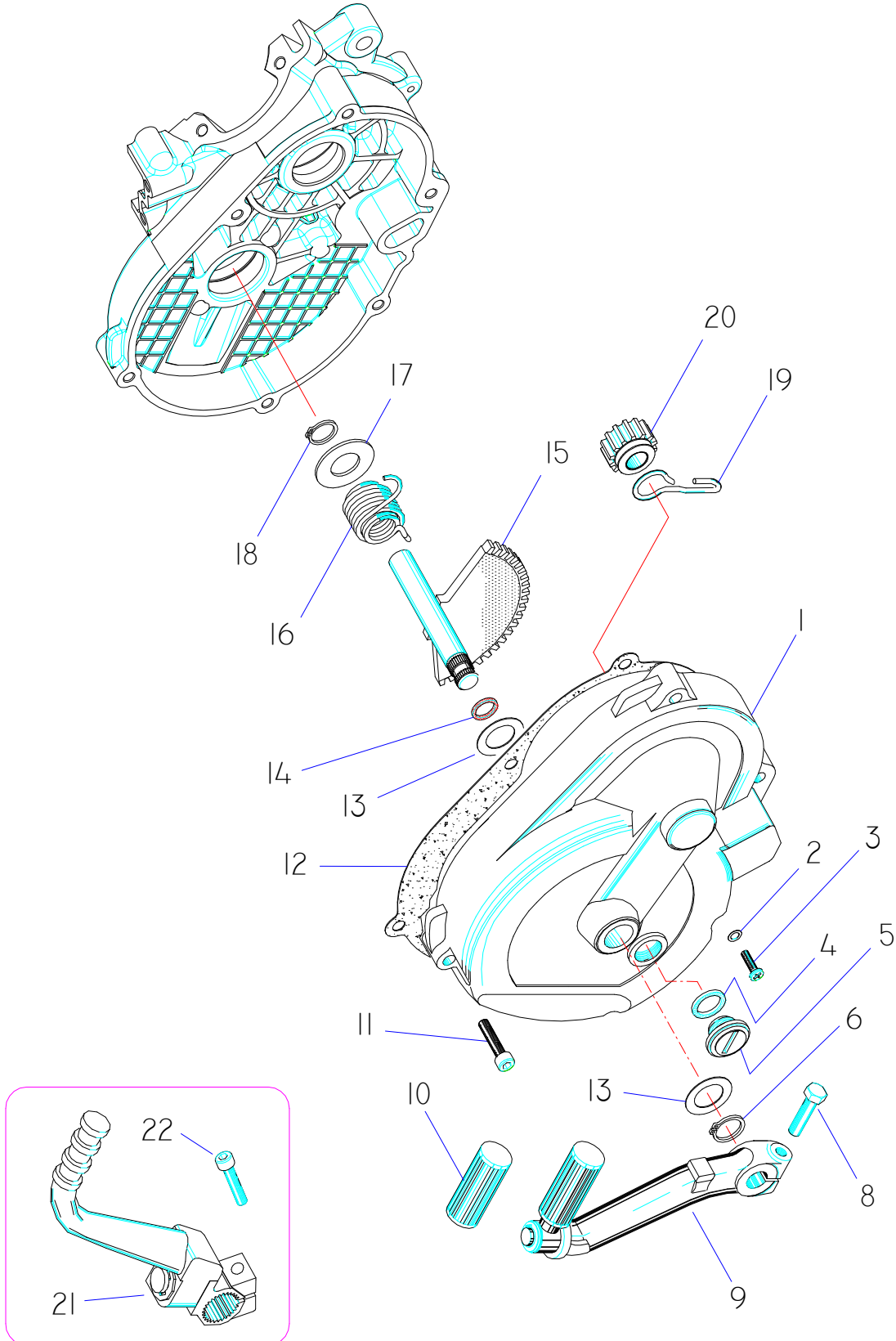
ENGINE BLOCK



KICK STARTER UNIT AND CLUTCH COVER

CODE	DENOMINATION	QTY	NOTE	TABLE
12-4257	CLUTCH COVER	1		B 01
16-4069	OIL DRAIN PLUG WASHER	1		B 02
29-6001	OIL DRAIN PLUG	1		B 03
16-4026	OIL FILLER CAP GASKET	1		B 04
27-3007	OIL FILLER CAP	1		B 05
10-5001	SNAP RING DIAMETER 14	1		B 06
29-4115	BOLT M7x25 FOR KICK STARTER ALUMINIUM	1		B 08
19-0029	KICK STARTER LEVER ALUMINIUM	1		B 09
16-3028	RUBBER PAD FOR KICK STARTER LEVER	1		B 10
29-1987	BOLT M6x30	6		B 11
16-4296	CLUTCH COVER GASKET	1		B 12
25-4005	SPACER RING 0.8mm	2		B 13
10-7024	KICK STARTER SHAFT O-RING	1		B 14
10-0188	KICK STARTER SHAFT	1		B 15
20-1181	KICK STARTER RETURN SPRING	1		B 16
25-4010	SPRING WASHER	1		B 17
10-5029	SNAP RING DIAMETER 15	1		B 18
20-1182	RETURN SPRING FOR SLIDING GEAR	1		B 19
18-1300	SLIDING GEAR	1		B 20
19-0052	KICK STARTER LEVER STEEL	1		B 21
29-1985	BOLT M7x 25 FOR KICK STARTER LEVER STEEL	1		B 22

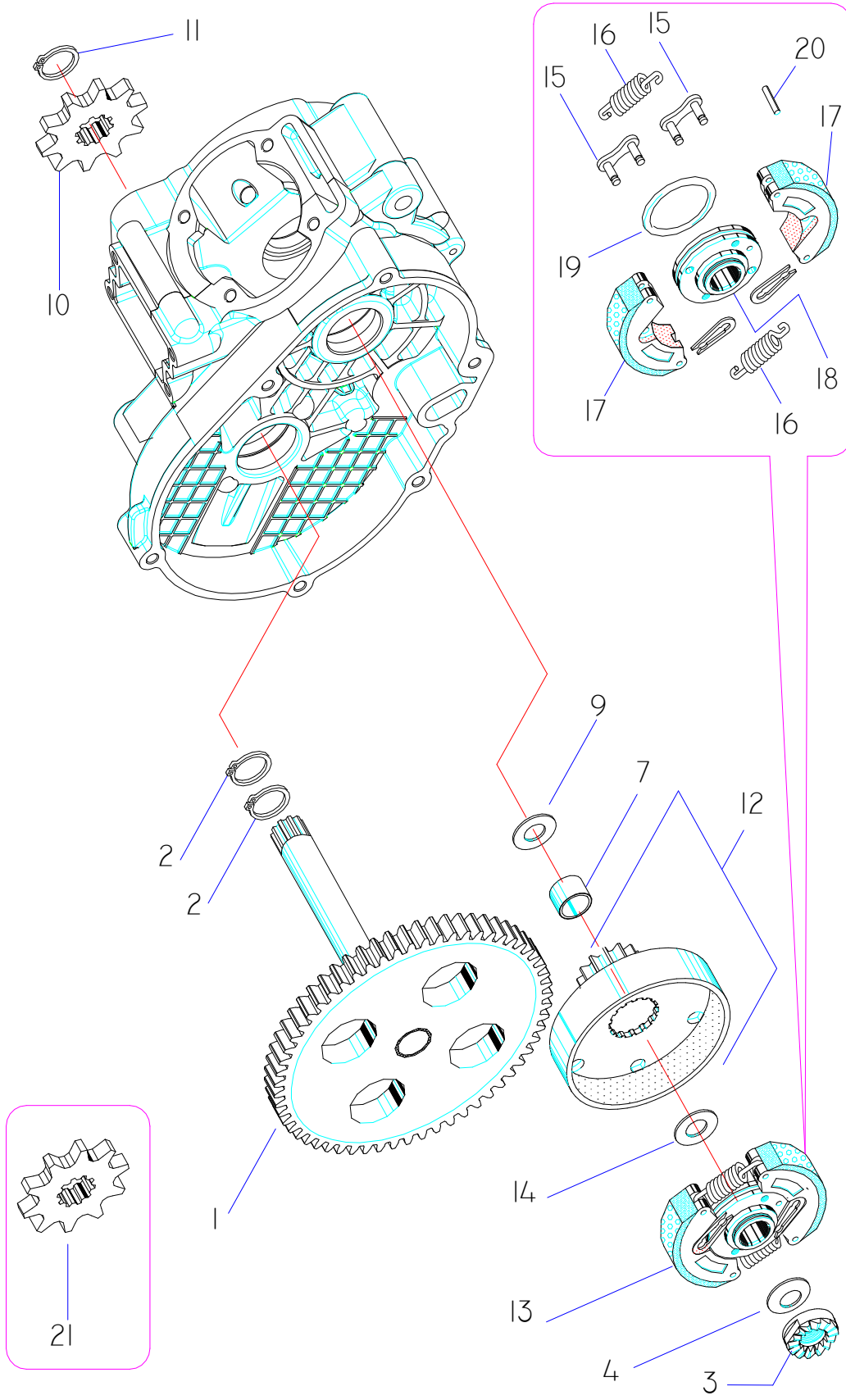
KICK STARTER UNIT AND CLUTCH COVER



TRANSMISSION AND CLUTCH

CODE	DENOMINATION	QTY	NOTE	TABLE
12-0689	OUTPUT SHAFT	1		C 01
10-5077	SNAP RING DIAMETER 17	2		C 02
13-1035	FRONT CLUTCH NUT	1		C 03
20-1195	BELLEVILLE WASHER	1		C 04
11-5097	DRIVE GEAR BUSHING	1		C 07
26-4005	SPACER RING 0,8mm CRANKSHAFT CLUTCH SIDE	1		C 09
23-2608	CHAIN SPROCKET Z10	1		C 10
10-5035	SNAP RING DIAMETER 16 FOR CHAIN SPROCKET	1		C 11
18-0031	CLUTCH BELL	1		C 12
20-0090	COMPLETE CLUCTH	1		C 13
13-6130	SPACER RING 2,5mm CLUTCH BELL	1		C 14
12-0558	CLUTCH SHOE JOINT	2		C 15
20-1130	CLUTCH SHOE SPRING	2		C 16
12-7020	CLUCTH SHOE	2		C 17
20-6087	CLUTCH SHOE HUB	1		C 18
10-7065	SPACE RING CLUTCH SHOE HUB	1		C 19
25-7002	PIN	4		C 20
23-2611	CHAIN SPROCKET Z11	1		C 21

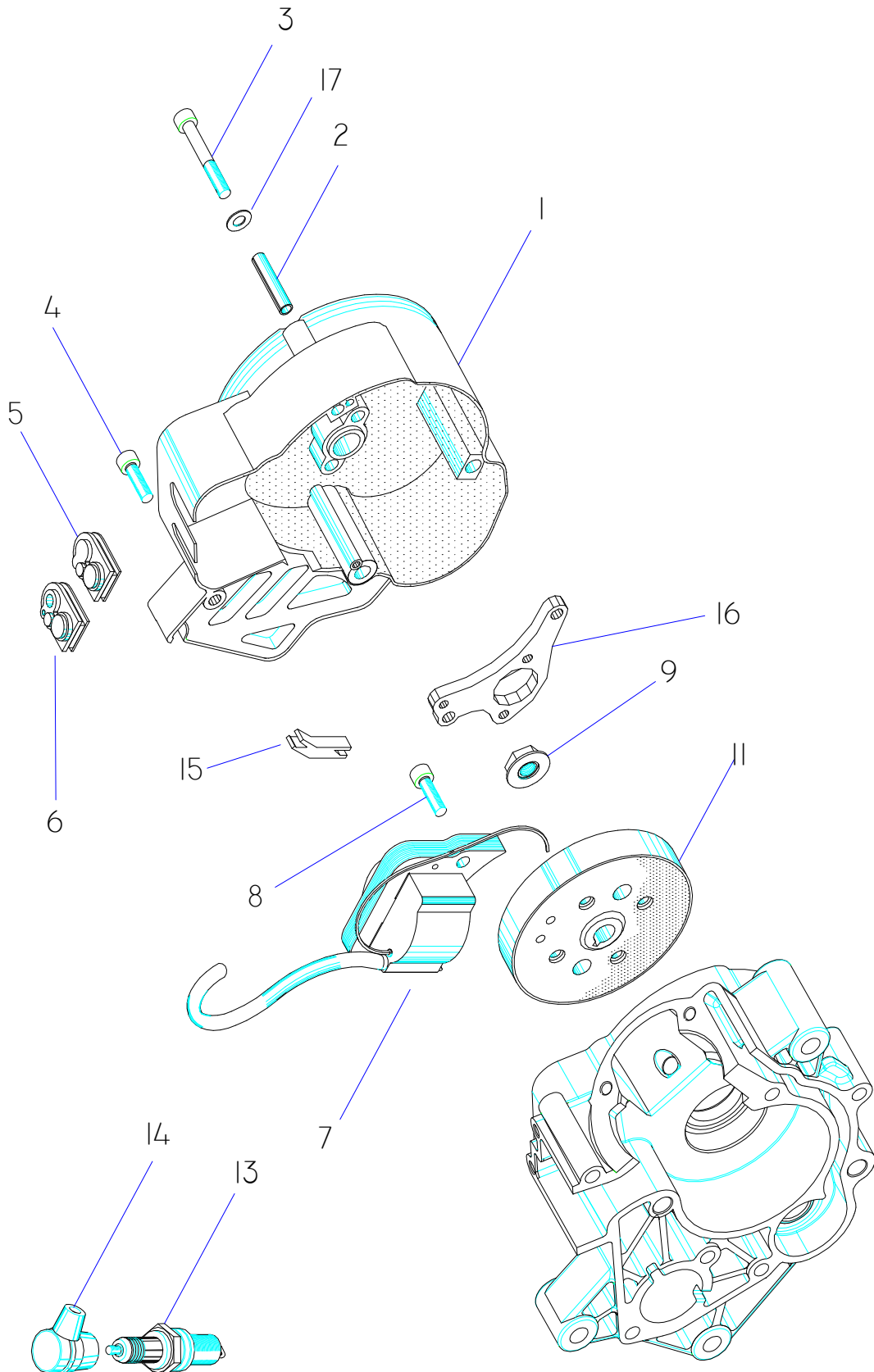
TRANSMISSION AND CLUTCH



IGNITION UNIT AND FLYWHEEL COVER

CODE	DENOMINATION	QTY	NOTE	TABLE
12-4260	FLYWHEEL COVER	1		D 01
16-7056	ELASTIC DOWEL PIN	2		D 02
29-1966	SCREW M5x 50	3		D 03
29-1959	SCREW M5x 20	1		D 04
16-3075	RUBBER FAIRLEAD	1		D 05
16-3078	RUBBER FAIRLEAD	2		D 06
14-0003	IGNITION COIL	1		D 07
29-1957	CLAMPING BOLT IGNITION COIL	2		D 08
13-1032	FLYWHEEL NUT	1		D 09
29-0161	FLYWHEEL	1		D 11
12-7346	SPARK PLUG	1		D 13
23-7152	SPARK PLUG CAP	1		D 14
16-3081	RUBBER FLYWHEEL COVER	1		D 15
26-8257	BRACKET FLYWHEEL COVER	1		D 16
25-4240	WASHER	4		D 17

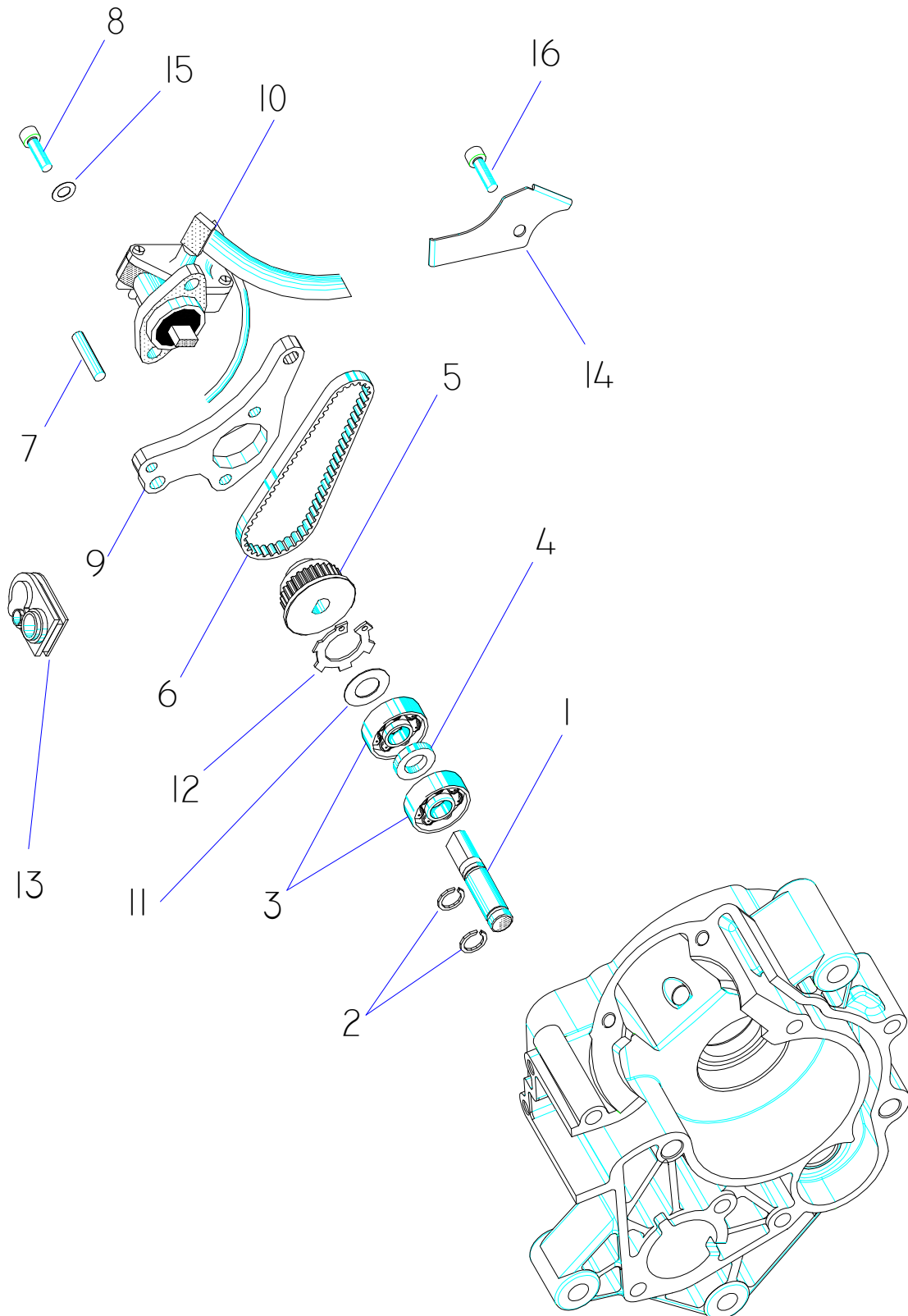
IGNITION UNIT AND FLYWHEEL COVER



OIL MIXER PUMP UNIT

CODICE	DENOMINAZIONE	Q.TA'	NOTE	TAVOLA
10-1236	OIL MIXER PUMP DRIVE SHAFT	1		F 01
10-5061	SNAP RING DIAMETER 8 TYPE SW	1		F 02
12-6038	BEARING 8-22-7 2 RS	2		F 03
13-6125	SPACER RING	1		F 04
23-0091	DRIVEN PULLEY	1		F 05
12-7335	DRIVE BELT	1		F 06
25-7134	PIN DIAMETER 4x17,8	1		F 07
29-1955	BOLT M5x12	2		F 08
26-8238	BRACKET OIL MIXER PUMP SUPPORT	1		F 09
25-0095	COMPLETE OIL MIXER PUMP	1		F 10
25-4227	SPACER RING	1		F 11
13-7006	BEARING SNAP RING	1		F 12
16-3076	RUBBER FAIRLEAD	1		F 13
23-7143	TUBE HOLDER PLATE	1		F 14
25-4013	WASHER	2		F 15
29-1954	SCREW TUBE HOLDER PLATE	1		F 16

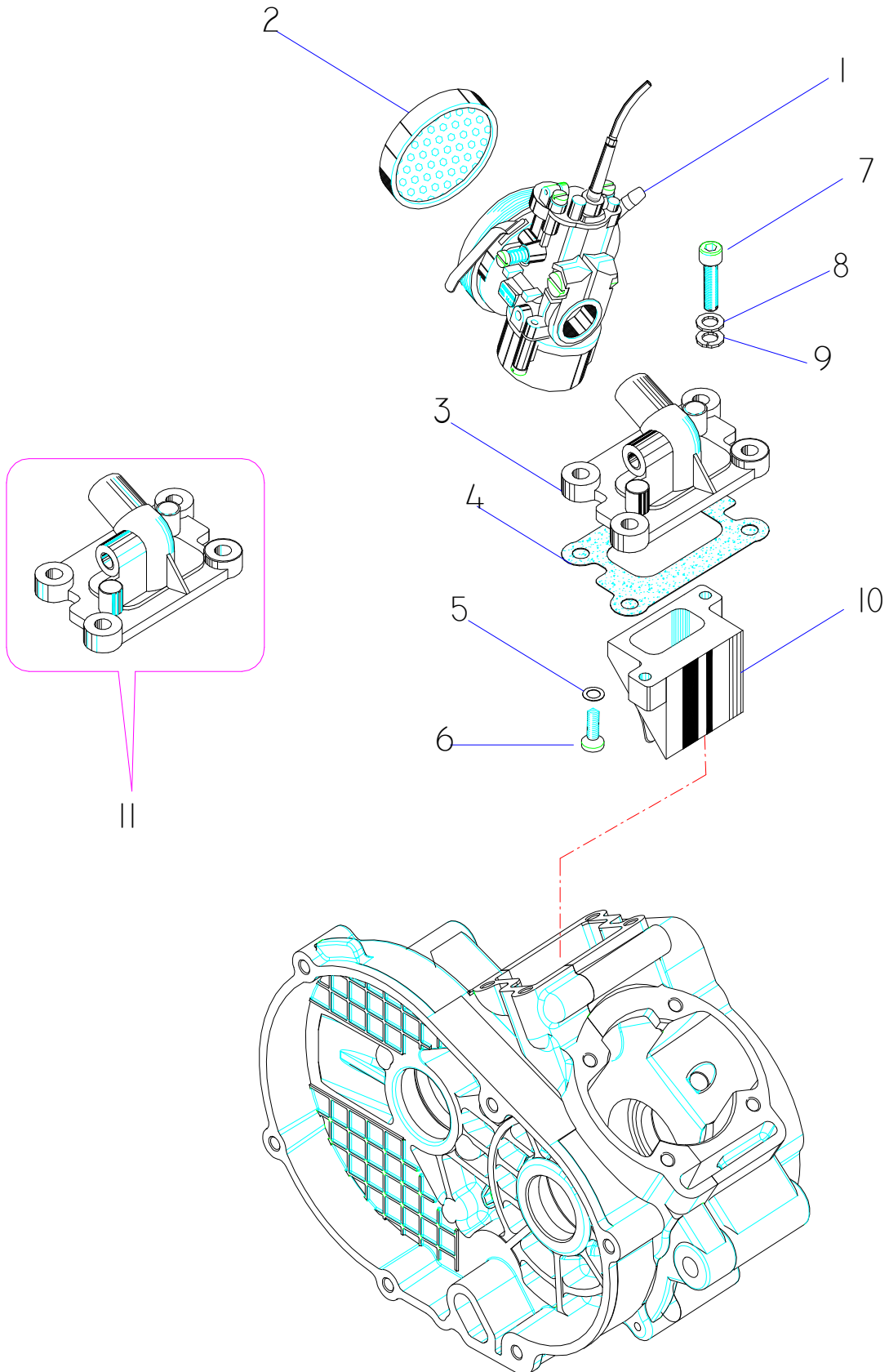
OIL MIXER PUMP UNIT



CARBURETOR UNIT

CODE	DENOMINATION	QTY	NOTE	TABLE
12-0153	CARBURETOR SHA 14/12	1		G 01
	METAL AIR FILTER	1		G 02
25-1163	CARBURETOR MANIFOLD	1		G 03
16-4304	CARBURETOR MANIFOLD GASKET	1		G 04
25-4086	WASHER	2		G 05
29-6137	CLAMPING BOLT REED VALVE	2		G 06
29-1984	BOLT M6x20	4		G 07
25-4238	SPRING WASHER	4		G 08
25-4001	WASHER	4		G 09
29-0527	REED VALVE	1		G 10
25-0100	CARBURETOR MANIFOLD OIL MIXER PUMP VERSION	1		G 11

CARBURETOR UNIT



CYLINDER - PISTON - CYLINDER HEAD

CODE	DENOMINATION	QTY	NOTE	TABLE
77-3964	COMPLETE CYLINDER AND PISTON KIT			H 01
23-0186	COMPLETE PISTON			H 02
13-1030	CYLINDER HEAD NUT	4		H 03
27-5034	CYLINDER HEAD	1		H 04
16-4121	CYLINDER HEAD GASKET	1		H 05
23-5055	STUD BOLT	4		H 07
16-4295	CYLINDER BASE GASKET 0,5 mm	1		H 08
16-4308	EXHAUST PORT GASKET	1		H 09
26-1003	PISTON RING 1th GROOVE	1		H 10
26-1044	PISTON RING 2th GROOVE	1		H 11
26-8107	PISTON PIN	1		H 12
10-4001	PISTON PIN CIRCLIP	2		H 13

CYLINDER - PISTON - CYLINDER HEAD

